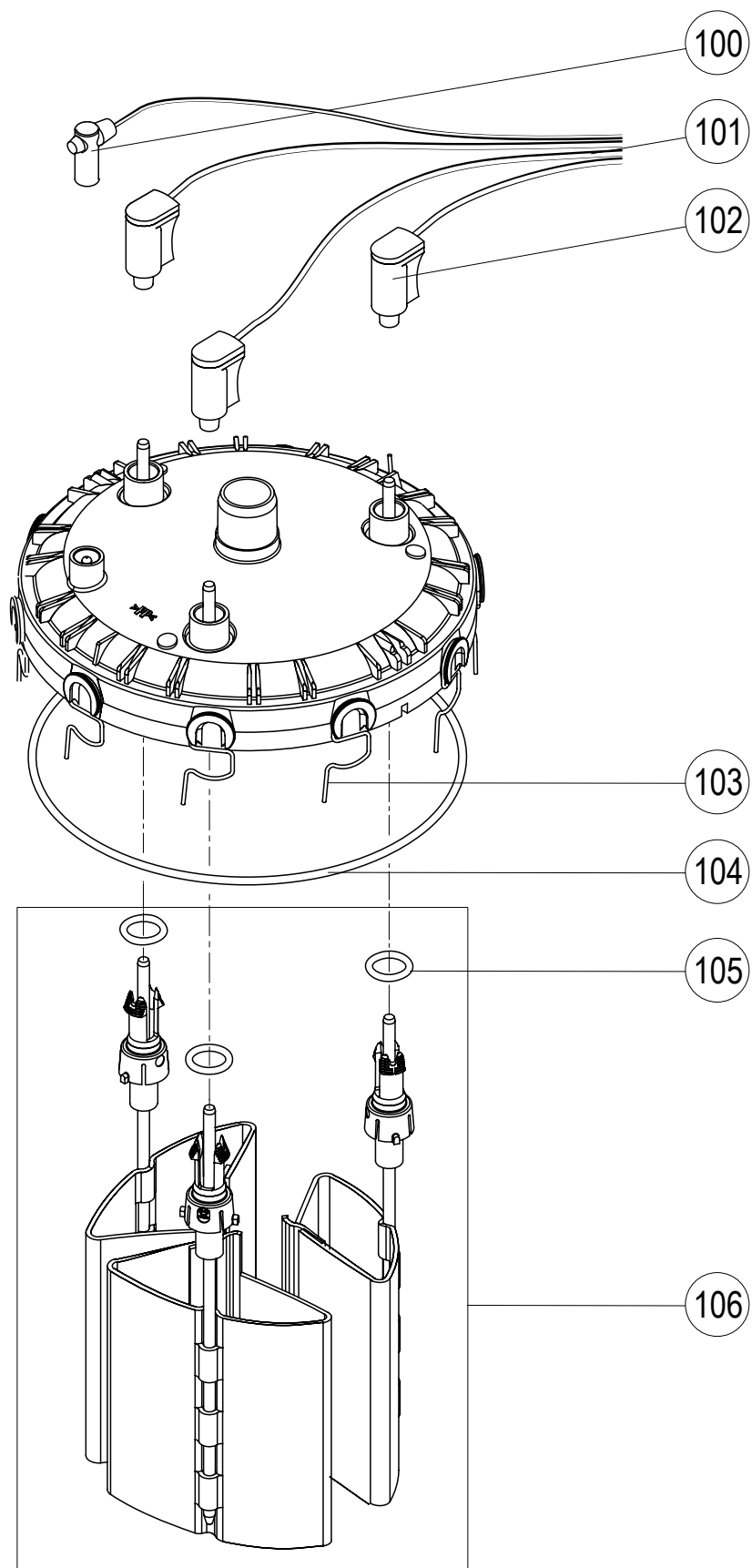




## ERSATZTEILPREISLISTE

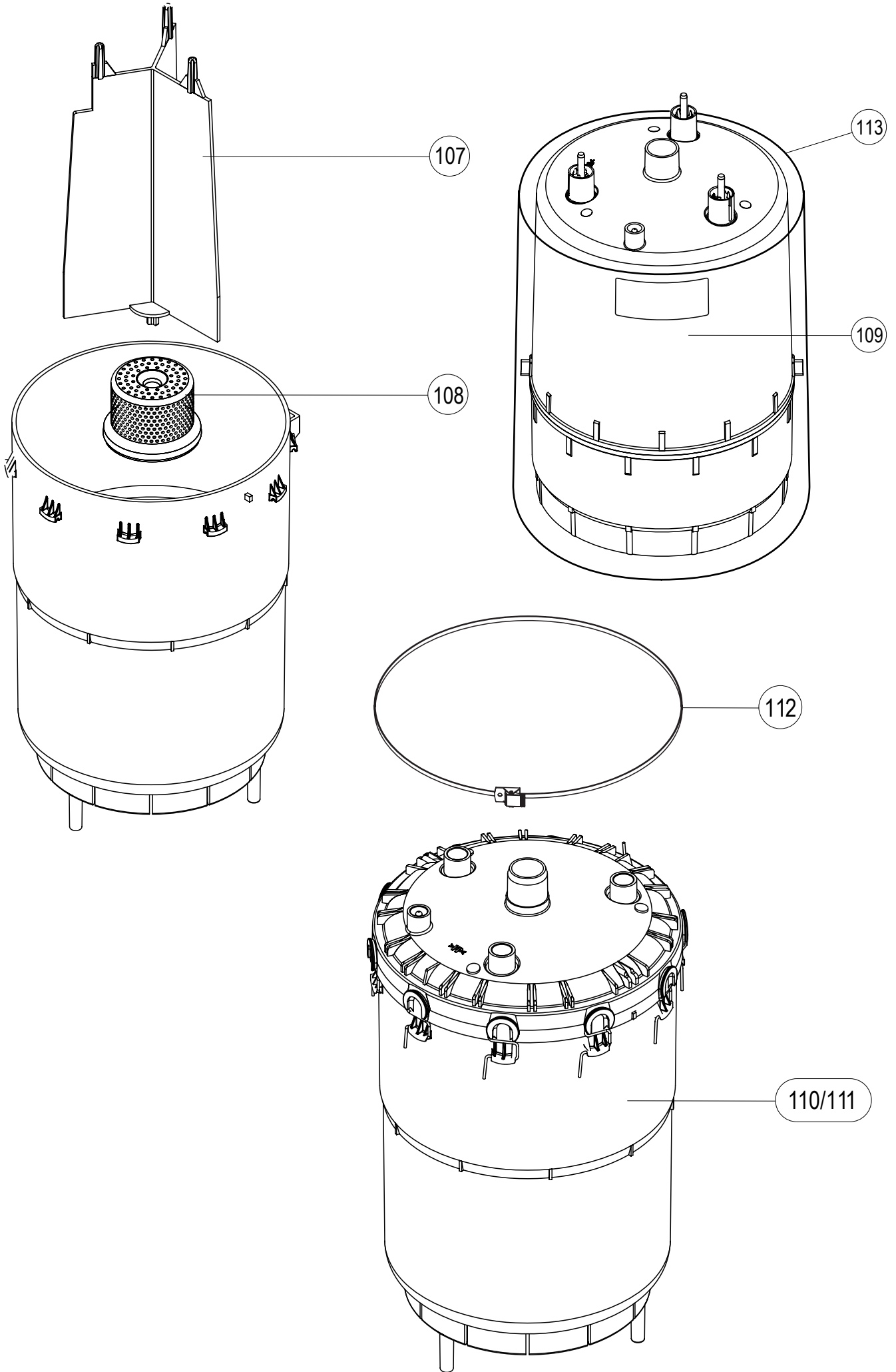
Condair EL  
Preisliste gültig von 01.01. bis 31.12.2024

| Position | Ersatzteile  | Zusatz               |            |            |            |            |            |            |            |            |            |            |            |            | SAP-Nr. | Preis € |         |        |
|----------|--|----------------------|------------|------------|------------|------------|------------|------------|------------|------------|------------|------------|------------|------------|---------|---------|---------|--------|
|          |  |                      | 200 V / 1" | 230 V / 1" | 240 V / 1" | 200 V / 3" | 230 V / 3" | 400 V / 3" | 415 V / 3" | 440 V / 3" | 460 V / 3" | 480 V / 3" | 500 V / 3" | 600 V / 3" |         |         |         |        |
| 100      | Sensorstecker mit Kabel                            | pro Zylinder         | 1          | 1          | 1          | 1          | 1          | 1          | 1          | 1          | 1          | 1          | 1          | 1          | 1       | 1       | 2584641 | 52,50  |
| 101      | Kabelbaum kpl.                                     | 5...8 kg/h           |            | 1          | 1          |            |            |            |            |            |            |            |            |            |         |         | 2584642 | 151,20 |
|          |  | 5...8 kg/h           |            |            |            |            | 1          | 1          | 1          | 1          | 1          | 1          | 1          | 1          | 1       |         | 2584646 | 209,90 |
|          |  | 10 kg/h              |            | 1          | 1          |            |            |            |            |            |            |            |            |            |         |         | 2584643 | 166,30 |
|          |  | 10...15 kg/h         |            |            |            |            | 1          | 1          | 1          | 1          | 1          | 1          | 1          | 1          | 1       |         | 2584644 | 190,30 |
|          |  | 20...24 kg/h         |            |            |            |            | 1          | 1          | 1          | 1          | 1          | 1          | 1          | 1          | 1       |         | 2584645 | 321,00 |
|          |  | 30 kg/h              |            |            |            |            | 1          | 1          | 1          |            |            |            |            |            |         |         | 2584645 | 321,00 |
|          |  | 30 kg/h              |            |            |            |            |            |            |            | 1          | 1          | 1          | 1          | 1          | 1       |         | 2584644 | 190,30 |
|          |  | 35...45 kg/h         |            |            |            |            | 2          | 1          | 1          | 1          | 1          | 1          | 1          | 1          | 1       |         | 2584645 | 321,00 |
|          |  | 50 kg/h              |            |            |            |            | 2          |            |            |            |            |            |            |            |         |         | 2584645 | 321,00 |
|          |  | 50 kg/h              |            |            |            |            |            | 2          | 2          | 2          | 2          | 2          | 2          | 2          | 2       |         | 2584644 | 190,30 |
|          |  | 60 kg/h              |            |            |            |            | 2          | 2          | 2          |            |            |            |            |            |         |         | 2584645 | 321,00 |
|          |  | 60 kg/h              |            |            |            |            |            |            |            | 2          | 2          | 2          | 2          | 2          | 2       |         | 2584644 | 190,30 |
|          |  | 70...90 kg/h         |            |            |            |            | 3          | 2          | 2          | 2          | 2          | 2          | 2          | 2          | 2       |         | 2584645 | 321,00 |
|          |  | 105...135 kg/h       |            |            |            |            | 4          | 3          | 3          |            |            |            |            |            |         |         | 2584645 | 321,00 |
|          |  | 152...180 kg/h       |            |            |            |            | 4          | 4          |            |            |            |            |            |            |         |         | 2584645 | 321,00 |
|          |  | L 50...90 kg/h       |            |            |            |            |            | 1          | 1          |            |            |            |            |            |         |         | 2584647 | 701,80 |
|          |  | Japan                |            |            |            |            |            |            |            |            |            |            |            |            |         |         |         |        |
|          |  | 5...8 kg/h           | 1          |            |            |            |            |            |            |            |            |            |            |            |         |         | 2584639 | 259,00 |
|          |  | 5...8 kg/h           |            |            |            |            | 1          |            |            |            |            |            |            |            |         |         | 2584640 | 316,70 |
|          |  | 10...15 kg/h         |            |            |            |            | 1          |            |            |            |            |            |            |            |         |         | 2584677 | 326,50 |
|          |  | 20 kg/h              |            |            |            |            | 1          |            |            |            |            |            |            |            |         |         | 2584679 | 415,10 |
|          |  | 24...30 kg/h         |            |            |            |            | 1          |            |            |            |            |            |            |            |         |         | 2584678 | 529,00 |
|          |  | 35...40 kg/h         |            |            |            |            | 2          |            |            |            |            |            |            |            |         |         | 2584679 | 415,10 |
|          |  | 50...60 kg/h         |            |            |            |            | 2          |            |            |            |            |            |            |            |         |         | 2584678 | 529,00 |
| 102      | Dampfzylinderstecker, 3 Stk.                       | Ø 5 mm (5...8 kg/h)  |            |            |            | 1          | 1          | 1          |            |            |            |            |            |            |         |         | 1102495 | 61,00  |
|          |  | Ø 6 mm (5...45 kg/h) | 1          | 1          | 1          | 1          | 1          | 1          | 1          | 1          | 1          | 1          | 1          | 1          | 1       |         | 1101868 | 128,50 |
| 103      | Klammern zu reinigbarem Dampfzylinder, 4 Stk.      |                      | 1          | 1          | 1          | 1          | 1          | 1          | 1          | 1          | 1          | 1          | 1          | 1          | 1       |         | 1115790 | 37,10  |
| 104      | O-Ring zu reinigbarem Dampfzylinder                | D301 (5...8 kg/h)    | 1          | 1          | 1          | 1          | 1          | 1          | 1          | 1          | 1          | 1          | 1          | 1          | 1       |         | 1115787 | 61,00  |
|          |  | D401 (10...15 kg/h)  |            |            |            | 1          | 1          | 1          | 1          | 1          | 1          | 1          | 1          | 1          | 1       |         | 1115788 | 76,40  |
|          |  | D601 (20...45 kg/h)  |            |            |            | 1          | 1          | 1          | 1          | 1          | 1          | 1          | 1          | 1          | 1       |         | 1115789 | 96,10  |
| 105      | Dichtungsring zu reinigbarem Dampfzylinder, 4 Stk. |                      |            | 1          | 1          | 1          | 1          | 1          | 1          | 1          | 1          | 1          | 1          | 1          | 1       |         | 1102225 | 24,50  |
| 106      | gesondert DZ-Preisliste                            | E342 (D342)          | 1          | 1          | 1          |            |            |            |            |            |            |            |            |            |         |         |         |        |
|          |  | E343 (D343/363)      |            |            |            | 1          | 1          | 1          | 1          | 1          | 1          | 1          | 1          | 1          | 1       |         |         |        |
|          |  | E444 (D444/464)      |            |            |            | 1          | 1          | 1          | 1          | 1          | 1          | 1          | 1          | 1          | 1       |         |         |        |
|          |  | E644 (D644/664)      |            |            |            |            |            | 1          | 1          | 1          | 1          | 1          | 1          | 1          | 1       |         |         |        |
|          |  | E654 (D654/674)      |            |            |            |            |            | 1          | 1          | 1          | 1          | 1          | 1          | 1          | 1       |         |         |        |

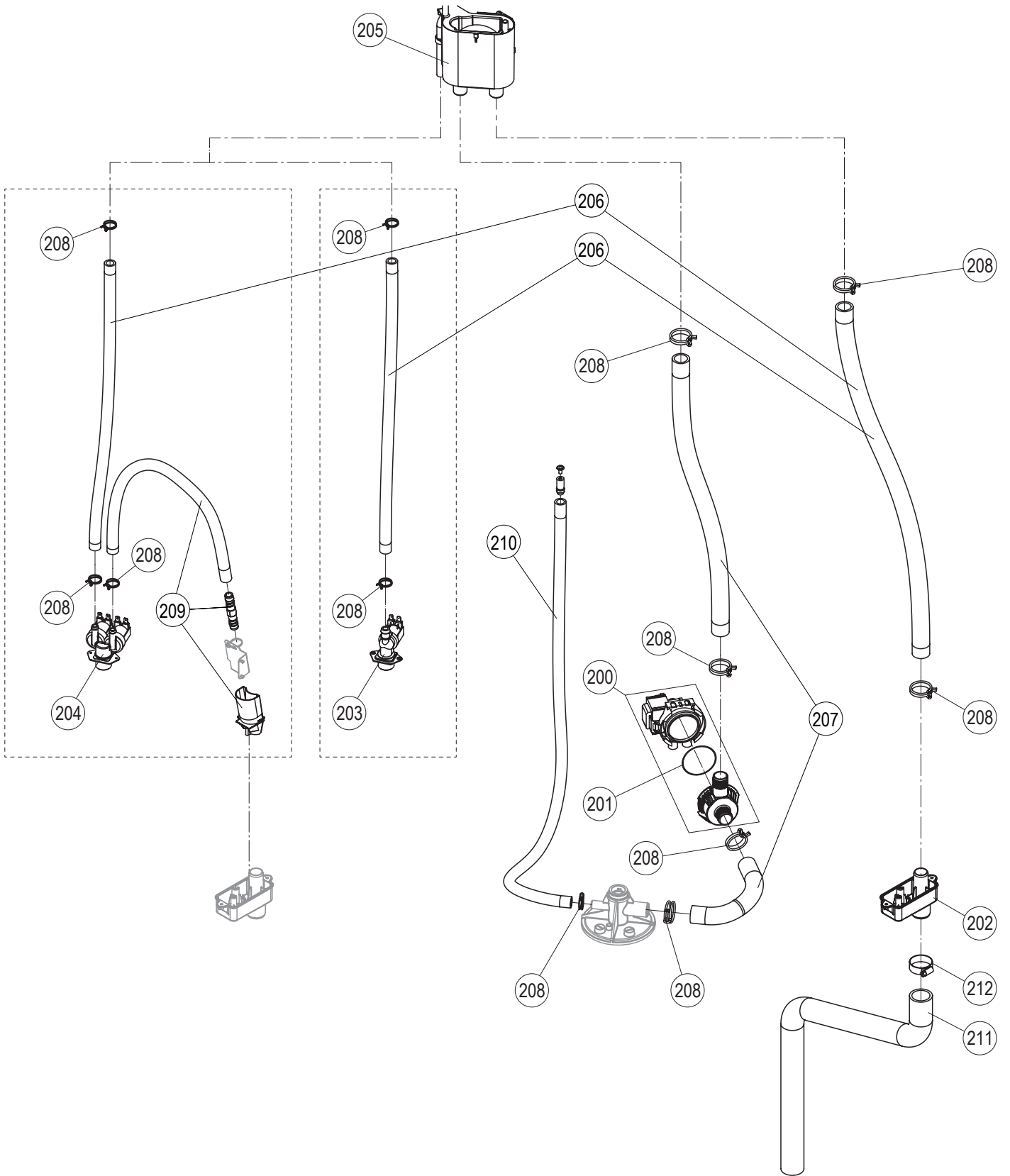


| Position | Ersatzteile                            | Zusatz                   | Leitfähigkeit |            |            |            |            |            |            |            |            |            |            |            | SAP-Nr. | Preis € |        |
|----------|--|--------------------------|---------------|------------|------------|------------|------------|------------|------------|------------|------------|------------|------------|------------|---------|---------|--------|
|          |  |                          | 200 V / 1"    | 230 V / 1" | 240 V / 1" | 200 V / 3" | 230 V / 3" | 400 V / 3" | 415 V / 3" | 440 V / 3" | 460 V / 3" | 480 V / 3" | 500 V / 3" | 600 V / 3" |         |         |        |
| 107      | Schikanen zu reinigbarem Dampfzylinder | D363                     |               |            |            |            |            | 1          | 1          | 1          | 1          | 1          | 1          | 1          | 1       | 115784  | 208,60 |
|          |  | D464                     |               |            |            |            |            | 1          | 1          | 1          | 1          | 1          | 1          | 1          | 1       | 115785  | 84,80  |
|          |  | D664/674                 |               |            |            |            |            | 1          | 1          | 1          | 1          | 1          | 1          | 1          | 1       | 115786  | 162,10 |
| 108      | Sieb zu reinigbarem Dampfzylinder      | 3-600                    | 1             | 1          | 1          | 1          | 1          | 1          | 1          | 1          | 1          | 1          | 1          | 1          | 1       | 1106695 | 41,20  |
| 109      | gesonderte DZ-Preisliste               | A342 (5...8 kg/h)        | 1             | 1          | 1          |            |            |            |            |            |            |            |            |            |         |         |        |
|          |  | A343 (5...8 kg/h)        |               |            |            | 1          | 1          | 1*         |            |            |            |            |            |            |         |         |        |
|          |  | A363 (5...8 kg/h)        |               |            |            |            |            | 1          | 1          | 1          | 1          | 1          | 1          | 1          | 1       |         |        |
|          |  | A444 (10...15 kg/h)      |               |            |            | 1          | 1          | 1*         |            |            |            |            |            |            | 1       |         |        |
|          |  | A464 (10...15 kg/h)      |               |            |            |            |            | 1          | 1          | 1          | 1          | 1          | 1          | 1          | 1       |         |        |
|          |  | A644 (24...30 kg/h)      |               |            |            | 1          | 1          | 1*         |            |            |            |            |            |            |         |         |        |
|          |  | A654 (20 kg/h)           |               |            |            | 1          | 1          | 1*         |            |            |            |            |            |            |         |         |        |
|          |  | A664 (35...40 kg/h)      |               |            |            |            |            | 1          | 1          | 1          | 1          | 1          | 1          | 1          | 1       |         |        |
|          |  | A674 (20...30 kg/h)      |               |            |            |            |            | 1          | 1          | 1          | 1          | 1          | 1          | 1          | 1       |         |        |
| 110      | gesonderte DZ-Preisliste               | D342 (5...8 kg/h)        | 1             | 1          | 1          |            |            |            |            |            |            |            |            |            |         |         |        |
|          |  | D343 (5...8 kg/h)        |               |            |            | 1          | 1          | 1*         |            |            |            |            |            |            |         |         |        |
|          |  | D363 (5...8 kg/h)        |               |            |            |            |            | 1          | 1          | 1          | 1          | 1          | 1          | 1          | 1       |         |        |
|          |  | D444 (10...15 kg/h)      |               |            |            | 1          | 1          | 1*         |            |            |            |            |            |            | 1       |         |        |
|          |  | D464 (10...15 kg/h)      |               |            |            |            |            | 1          | 1          | 1          | 1          | 1          | 1          | 1          | 1       |         |        |
|          |  | D644 (24...30 kg/h)      |               |            |            | 1          | 1          | 1*         |            |            |            |            |            |            |         |         |        |
|          |  | D654 (20 kg/h)           |               |            |            | 1          | 1          | 1*         |            |            |            |            |            |            |         |         |        |
|          |  | D664 (35...45 kg/h)      |               |            |            |            |            | 1          | 1          | 1          | 1          | 1          | 1          | 1          | 1       |         |        |
|          |  | D674 (20...30 kg/h)      |               |            |            |            |            | 1          | 1          | 1          | 1          | 1          | 1          | 1          | 1       |         |        |
| 111      | gesonderte DZ-Preisliste               | D301 (5...8 kg/h)        | 1             | 1          | 1          | 1          | 1          | 1          | 1          | 1          | 1          | 1          | 1          | 1          | 1       |         |        |
|          |  | D401 (10...15 kg/h)      |               |            |            | 1          | 1          | 1          | 1          | 1          | 1          | 1          | 1          | 1          | 1       |         |        |
|          |  | D601 (20...45 kg/h)      |               |            |            | 1          | 1          | 1          | 1          | 1          | 1          | 1          | 1          | 1          | 1       |         |        |
| 112      | Spannband Dampfzylinder                | 5...8 kg (L = 640 mm)    | 1             |            |            |            |            |            |            |            |            |            |            |            |         | 2584622 | 41,20  |
|          |  | 10...15 kg (L = 790 mm)  | 1             |            |            |            |            |            |            |            |            |            |            |            |         | 2584623 | 41,20  |
|          |  | 20...45 kg (L = 1070 mm) | 1             |            |            |            |            |            |            |            |            |            |            |            |         | 2584624 | 41,20  |
| 113      | Zylinderisolation (ECO* Manschette)    | Typ 300                  | 1             | 1          | 1          | 1          | 1          | 1          | 1          | 1          | 1          | 1          | 1          | 1          | 1       | 2598328 | 158,00 |
|          |  | Typ 400                  | 1             | 1          | 1          | 1          | 1          | 1          | 1          | 1          | 1          | 1          | 1          | 1          | 1       | 2598329 | 175,00 |
|          |  | Typ 500                  | 1             | 1          | 1          | 1          | 1          | 1          | 1          | 1          | 1          | 1          | 1          | 1          | 1       | 2598330 | 259,00 |

\* Niedrige Leitfähigkeit < 125 µS

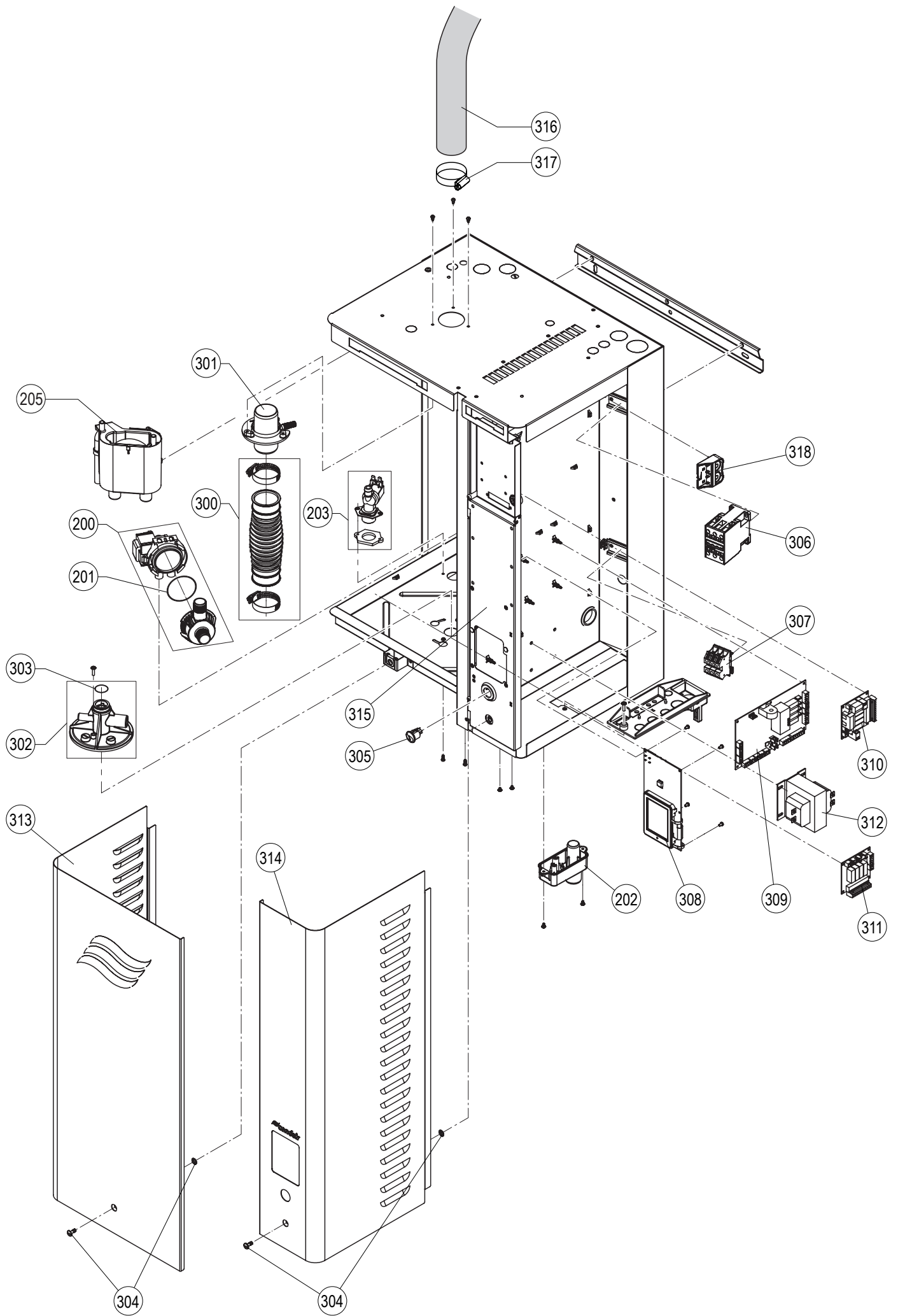


| Position | Ersatzteile   | Zusatz                   | 200 V / 1" | 230 V / 1" | 240 V / 1" | 200 V / 3" | 230 V / 3" | 400 V / 3" | 415 V / 3" | 440 V / 3" | 460 V / 3" | 480 V / 3" | 500 V / 3" | 600 V / 3" | SAP-Nr. | Preis € |
|----------|---|--------------------------|------------|------------|------------|------------|------------|------------|------------|------------|------------|------------|------------|------------|---------|---------|
|          |   |                          |            |            |            |            |            |            |            |            |            |            |            |            |         |         |
| 200      | Synchronpumpe kpl.  | pro Zylinder             | 1          | 1          | 1          | 1          | 1          | 1          | 1          | 1          | 1          | 1          | 1          | 1          | 2579872 | 235,40  |
| 201      | Dichtung Pumpengehäuse                                      | pro Zylinder             | 1          | 1          | 1          | 1          | 1          | 1          | 1          | 1          | 1          | 1          | 1          | 1          | 2550469 | 34,20   |
| 202      | Ablaufbecher kpl.   | pro Zylinder             | 1          | 1          | 1          | 1          | 1          | 1          | 1          | 1          | 1          | 1          | 1          | 1          | 2579873 | 52,50   |
| 203      | Einlassventil kpl.  | 0.5 l/min (5...8 kg/h)   | 1          | 1          | 1          | 1          | 1          | 1          | 1          | 1          | 1          | 1          | 1          | 1          | 2537275 | 80,60   |
|          |   | 1.2 l/min (10...15 kg/h) |            |            |            | 1          | 1          | 1          | 1          | 1          | 1          | 1          | 1          | 1          | 2537276 | 124,20  |
|          |   | 2.5 l/min (20...45 kg/h) |            |            |            | 1          | 1          | 1          | 1          | 1          | 1          | 1          | 1          | 1          | 2537277 | 124,20  |
| 204      | Doppel-Einlassventil DWC kpl.<br>bei Option Abschlammwasser | 0.5 l/min (5...8 kg/h)   | 1          | 1          | 1          | 1          | 1          | 1          | 1          | 1          | 1          | 1          | 1          | 1          | 2584680 | 128,50  |
|          |   | 1.2 l/min (10...15 kg/h) |            |            |            | 1          | 1          | 1          | 1          | 1          | 1          | 1          | 1          | 1          | 2584681 | 128,50  |
|          |   | 2.5 l/min (20...45 kg/h) |            |            |            | 1          | 1          | 1          | 1          | 1          | 1          | 1          | 1          | 1          | 2584682 | 128,50  |
| 205      | Wasserbecher kpl.   | 5...45 kg/h              | 1          | 1          | 1          | 1          | 1          | 1          | 1          | 1          | 1          | 1          | 1          | 2579884    | 97,30   |         |
| 206      | Schlauchset   | 5...15 kg/h              | 1          | 1          | 1          | 1          | 1          | 1          | 1          | 1          | 1          | 1          | 1          | 1          | 2584615 | 39,80   |
|          |   | 20...45 kg/h             |            |            |            | 1          | 1          | 1          | 1          | 1          | 1          | 1          | 1          | 1          | 2584616 | 45,50   |
| 207      | Pumpen-Schlauchset  | 5...15 kg/h              | 1          | 1          | 1          | 1          | 1          | 1          | 1          | 1          | 1          | 1          | 1          | 1          | 2584617 | 117,00  |
|          |   | 20...45 kg/h             |            |            |            | 1          | 1          | 1          | 1          | 1          | 1          | 1          | 1          | 1          | 2584618 | 132,50  |
| 208      | Schlauchklemmset  | 5...45 kg/h              | 1          | 1          | 1          | 1          | 1          | 1          | 1          | 1          | 1          | 1          | 1          | 2579889    | 61,00   |         |
| 209      | Set Ablaufkühlung   | 5...15 kg/h              | 1          | 1          | 1          | 1          | 1          | 1          | 1          | 1          | 1          | 1          | 1          | 1          | 2579890 | 61,00   |
|          |   | 20...45 kg/h             |            |            |            | 1          | 1          | 1          | 1          | 1          | 1          | 1          | 1          | 1          | 2579901 | 69,30   |
| 210      | Entleerungsschlauch   | 5...15 kg/h              | 1          | 1          | 1          | 1          | 1          | 1          | 1          | 1          | 1          | 1          | 1          | 1          | 2584619 | 55,40   |
|          |   | 20...45 kg/h             |            |            |            | 1          | 1          | 1          | 1          | 1          | 1          | 1          | 1          | 1          | 2584620 | 62,30   |
| 211      | Ablaufschlauch  | 5...45 kg/h              | 1          | 1          | 1          | 1          | 1          | 1          | 1          | 1          | 1          | 1          | 1          | 2584278    | 84,80   |         |
| 212      | Schlauchklemme 25-40 / 9-W2                                 | pro Zylinder             | 1          | 1          | 1          | 1          | 1          | 1          | 1          | 1          | 1          | 1          | 1          | 1100432    | 22,00   |         |



| Position              | Ersatzteile                                    | Zusatz                 |            |            |            |            |            |            |            |            |            |            |            |            | SAP-Nr. | Preis € |       |
|-----------------------|--|------------------------|------------|------------|------------|------------|------------|------------|------------|------------|------------|------------|------------|------------|---------|---------|-------|
|                       |  |                        | 200 V / 1~ | 230 V / 1~ | 240 V / 1~ | 200 V / 3~ | 230 V / 3~ | 400 V / 3~ | 415 V / 3~ | 440 V / 3~ | 460 V / 3~ | 480 V / 3~ | 500 V / 3~ | 600 V / 3~ |         |         |       |
| 300                   | Dampfschlauchanschluss                         | Ø 22 mm (5...8 kg/h)   | 1          | 1          | 1          | 1          | 1          | 1          | 1          | 1          | 1          | 1          | 1          | 1          | 1       | 2584625 | 46,70 |
|                       |  | Ø 30 mm (10...15 kg/h) |            |            | 1          | 1          | 1          | 1          | 1          | 1          | 1          | 1          | 1          | 1          | 1       | 2584626 | 52,50 |
|                       |  | Ø 45 mm (20...45 kg/h) |            |            |            | 1          | 1          | 1          | 1          | 1          | 1          | 1          | 1          | 1          | 1       | 2584627 | 48,30 |
| 301                   | Dampfauslass                                   | Ø 22 mm (5...8 kg/h)   | 1          | 1          | 1          | 1          | 1          | 1          | 1          | 1          | 1          | 1          | 1          | 1          | 1       | 2584631 | 45,50 |
|                       |  | Ø 30 mm (10...15 kg/h) |            |            | 1          | 1          | 1          | 1          | 1          | 1          | 1          | 1          | 1          | 1          | 1       | 2584632 | 46,70 |
|                       |  | Ø 45 mm (20...45 kg/h) |            |            |            | 1          | 1          | 1          | 1          | 1          | 1          | 1          | 1          | 1          | 1       | 2584633 | 46,70 |
| 302                   | Kupplungsmuffe kpl.                            |                        | 1          | 1          | 1          | 1          | 1          | 1          | 1          | 1          | 1          | 1          | 1          | 1          | 2530176 | 52,50   |       |
| 303                   | O-Ring, 10 Stk.                                |                        | 1          | 1          | 1          | 1          | 1          | 1          | 1          | 1          | 1          | 1          | 1          | 1          | 1102867 | 61,00   |       |
| 304                   | Verschluss kpl. (2 Stk.)                       | 5...45 kg/h            |            | 1          |            | 1          | 1          | 1          | 1          | 1          | 1          | 1          | 1          | 1          | 2530425 | 52,50   |       |
| 305                   | Geräteschalter                                 | 5...40 kg/h            |            | 1          |            | 1          | 1          | 1          | 1          | 1          | 1          | 1          | 1          | 1          | 2579895 | 34,20   |       |
| 306                   | Schütz   | 25 A (5 kg/h)          | 1          | 1          |            |            | 1          | 1          | 1          | 1          | 1          | 1          | 1          | 1          | 1115507 | 79,20   |       |
|                       |  | 25 A (8...10 kg/h)     |            |            |            |            | 1          | 1          | 1          | 1          | 1          | 1          | 1          | 1          | 1115507 | 79,20   |       |
|                       |  | 50 A (8...10 kg/h)     | 1          | 1          |            |            |            |            |            |            |            |            |            |            | 1115511 | 156,60  |       |
|                       |  | 25 A (15 kg/h)         |            |            |            |            |            | 1          | 1          | 1          | 1          | 1          | 1          | 1          | 1115507 | 79,20   |       |
|                       |  | 50 A (15 kg/h)         |            |            |            |            | 1          |            |            |            |            |            |            |            | 1115511 | 156,60  |       |
|                       |  | 50 A (20...24 kg/h)    |            |            |            |            | 1          | 1          | 1          | 1          | 1          | 1          | 1          | 1          | 1115511 | 156,60  |       |
|                       |  | 50 A (30 kg/h)         |            |            |            |            |            | 1          | 1          | 1          | 1          | 1          | 1          | 1          | 1115511 | 156,60  |       |
|                       |  | 65 A (30 kg/h)         |            |            |            |            | 1          |            |            |            |            |            |            |            | 1115809 | 212,80  |       |
|                       |  | 50 A (35...40 kg/h)    |            |            |            |            | 1          | 1          | 1          | 1          | 1          | 1          | 1          | 1          | 1115511 | 156,60  |       |
|                       |  | 65 A (45 kg/h)         |            |            |            |            | 1          | 1          | 1          | 1          | 1          | 1          | 1          | 1          | 1115809 | 212,80  |       |
|                       |  | 50 A (50...60 kg/h)    |            |            |            |            |            | 2          | 2          | 2          | 2          | 2          | 2          | 2          | 1115511 | 156,60  |       |
|                       |  | 65 A (50...60 kg/h)    |            |            |            |            |            | 2          |            |            |            |            |            |            | 1115809 | 212,80  |       |
|                       |  | 50 A (70 kg/h)         |            |            |            |            |            | 3          | 2          | 2          | 2          | 2          | 2          | 2          | 1115511 | 156,60  |       |
|                       |  | 65 A (80...90 kg/h)    |            |            |            |            |            | 3          | 2          | 2          | 2          | 2          | 2          | 2          | 1115809 | 212,80  |       |
|                       |  | 50 A (105...120 kg/h)  |            |            |            |            |            |            | 3          | 3          |            |            |            |            | 1115511 | 156,60  |       |
| 65 A (105...120 kg/h) |  |                        |            |            |            |            | 4          |            |            |            |            |            | 1115809    | 212,80     |         |         |       |
| 50 A (152...160 kg/h) |  |                        |            |            |            |            |            | 4          | 4          |            |            |            | 1115511    | 156,60     |         |         |       |
| 65 A (180 kg/h)       |  |                        |            |            |            |            |            | 4          | 4          |            |            |            | 1115809    | 212,80     |         |         |       |
| 307                   | Anschlussklemmenset                            | 5...15 kg/h            | 1          | 1          | 1          | 1          | 1          | 1          | 1          | 1          | 1          | 1          | 1          | 1          | 2584683 | 103,10  |       |
|                       |  | 20...45 kg/h           |            |            |            | 1          | 1          | 1          | 1          | 1          | 1          | 1          | 1          | 1          | 2584684 | 115,70  |       |
|                       |  | L 35...90 kg/h         |            |            |            |            |            | 1          | 1          |            |            |            |            |            | 2584685 | 187,40  |       |
| 308                   | Steuerplatine mit Touch panel, mit EL Software | pro Hauptgerät         | 1          | 1          | 1          | 1          | 1          | 1          | 1          | 1          | 1          | 1          | 1          | 1          | 2584613 | 756,80  |       |
| -                     | Smart Card                                     | pro Hauptgerät         | 1          | 1          | 1          | 1          | 1          | 1          | 1          | 1          | 1          | 1          | 1          | 1          | 2584599 | 65,20   |       |
| 309                   | Treiberplatine                                 | pro Zylinder           | 1          | 1          | 1          | 1          | 1          | 1          | 1          | 1          | 1          | 1          | 1          | 1          | 2584614 | 617,60  |       |
| 310                   | Betriebs- und Störungsfernmelder               | 5...180 kg/h           | 1          | 1          | 1          | 1          | 1          | 1          | 1          | 1          | 1          | 1          | 1          | 1          | 2529378 | 159,00  |       |

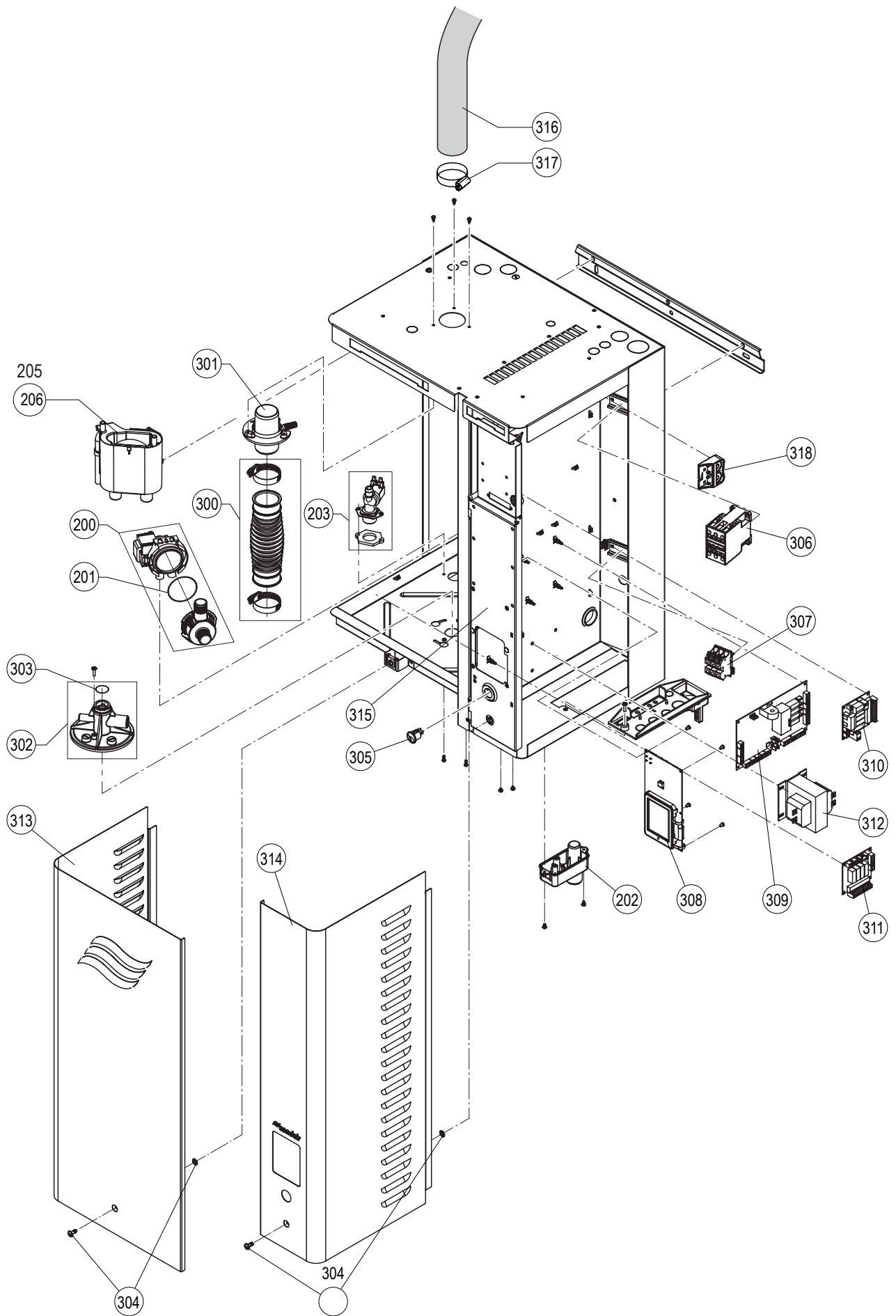




| Position | Ersatzteile   | Zusatz               |            |            |            |            |            |            |            |            |            |            |            |            |   | SAP-Nr. | Preis € |        |
|----------|---|----------------------|------------|------------|------------|------------|------------|------------|------------|------------|------------|------------|------------|------------|---|---------|---------|--------|
|          |   |                      | 200 V / 1" | 230 V / 1" | 240 V / 1" | 200 V / 3" | 230 V / 3" | 400 V / 3" | 415 V / 3" | 440 V / 3" | 460 V / 3" | 480 V / 3" | 500 V / 3" | 600 V / 3" |   |         |         |        |
| 311      | Zusatzplatine   | 5...180 kg/h         | 1          | 1          | 1          | 1          | 1          | 1          | 1          | 1          | 1          | 1          | 1          | 1          | 1 | 1       | 2585083 | 159,00 |
| 312      | Transformator   | S / M 5...45 kg/h    | 1          | 1          | 1          | 1          | 1          | 1          | 1          | 1          | 1          | 1          | 1          | 1          | 1 | 1       | 2584686 | 252,00 |
|          |   | 2xM / L 35...90 kg/h |            |            |            | 1          | 1          | 1          | 1          | 1          | 1          | 1          | 1          | 1          | 1 | 2584687 | 323,80  |        |
| 313 *    | Türe Wasserseite                                      | 5...15 kg/h          | 1          | 1          | 1          | 1          | 1          | 1          | 1          | 1          | 1          | 1          | 1          | 1          | 1 | 2579910 | 212,80  |        |
|          |   | 20...45 kg/h         |            |            |            | 1          | 1          | 1          | 1          | 1          | 1          | 1          | 1          | 1          | 1 | 2579911 | 214,10  |        |
| 314 *    | Türe Elektronikseite                                  | 5...15 kg/h          | 1          | 1          | 1          | 1          | 1          | 1          | 1          | 1          | 1          | 1          | 1          | 1          | 1 | 2579912 | 199,90  |        |
|          |   | 20...45 kg/h         |            |            |            | 1          | 1          | 1          | 1          | 1          | 1          | 1          | 1          | 1          | 1 | 2579913 | 199,90  |        |
|          | Türe Elektronikseite ohne Displayausschnitt           | 20...45 kg/h         | 1          | 1          | 1          | 1          | 1          | 1          | 1          | 1          | 1          | 1          | 1          | 1          | 1 | 2579914 | 199,90  |        |
| 315      | Bedienungspanel                                       | 5...15 kg/h          | 1          | 1          | 1          | 1          | 1          | 1          | 1          | 1          | 1          | 1          | 1          | 1          | 1 | 2579915 | 74,80   |        |
|          |   | 20...45 kg/h         |            |            |            | 1          | 1          | 1          | 1          | 1          | 1          | 1          | 1          | 1          | 1 | 2579916 | 79,20   |        |
| 316      | Dampfschlauch   | DS22 (Ø22/31mm)      | 1          | 1          | 1          | 1          | 1          | 1          | 1          | 1          | 1          | 1          | 1          | 1          | 1 | 2586142 | 82,00   |        |
|          |   | DS60 (Ø30/40mm)      |            |            |            | 1          | 1          | 1          | 1          | 1          | 1          | 1          | 1          | 1          | 1 | 2586144 | 82,00   |        |
|          |   | DS80 (Ø45/57mm)      |            |            |            | 1          | 1          | 1          | 1          | 1          | 1          | 1          | 1          | 1          | 1 | 2586147 | 133,00  |        |
| 317      | Schlauchbride, 2 Stk.                                 | für DS22             | 1          | 1          | 1          | 1          | 1          | 1          | 1          | 1          | 1          | 1          | 1          | 1          | 1 | 1100432 | 22,00   |        |
|          |   | für DS60             |            |            |            | 1          | 1          | 1          | 1          | 1          | 1          | 1          | 1          | 1          | 1 | 2538894 | 58,00   |        |
|          |   | für DS80             |            |            |            | 1          | 1          | 1          | 1          | 1          | 1          | 1          | 1          | 1          | 1 | 2538898 | 58,00   |        |
| 318      | Stromsensoren kpl.                                    | pro Zylinder         | 1          | 1          | 1          | 1          | 1          | 1          | 1          | 1          | 1          | 1          | 1          | 1          | 1 | 2584757 | 124,20  |        |
| -        | Kabel, Stromsensoren zu Treiberplatine                | pro Zylinder         | 1          | 1          | 1          | 1          | 1          | 1          | 1          | 1          | 1          | 1          | 1          | 1          | 1 | 2584758 | 24,50   |        |
| -        | Kondensatschlauch                                     | KS10 (Ø8/12mm)       | 1          | 1          | 1          | 1          | 1          | 1          | 1          | 1          | 1          | 1          | 1          | 1          | 1 | 1103350 | 26,00   |        |
| -        | Verbindungskanal IC zu Treiberplatine                 | S / M 5...180 kg/h   | 1          | 1          | 1          | 1          | 1          | 1          | 1          | 1          | 1          | 1          | 1          | 1          | 1 | 2579925 | 61,00   |        |
|          |   | L 50...90 kg/h       |            |            |            |            |            |            | 1          | 1          |            |            |            |            |   | 2584635 | 53,90   |        |
| -        | Verbindungskabel Treiberplatine A und B               | 1.5 m- 35...90 kg/h  |            |            |            |            |            | 1          | 1          | 1          | 1          | 1          | 1          | 1          | 1 | 2579894 | 62,30   |        |
|          |   | 6.0 m-35...90 kg/h   |            |            |            |            |            | 1          | 1          | 1          | 1          | 1          | 1          | 1          | 1 | 2583670 | 195,80  |        |
|          |   | L 35...90 kg/h       |            |            |            |            |            |            | 1          | 1          |            |            |            |            |   | 2584638 | 59,40   |        |
| -        | Kabel Treiberplatine zu Einlassventil und Ablaufpumpe | 5...15 kg/h          | 1          | 1          | 1          | 1          | 1          | 1          | 1          | 1          | 1          | 1          | 1          | 1          | 1 | 2584636 | 55,40   |        |
|          |   | 20...45 kg/h         |            |            |            | 1          | 1          | 1          | 1          | 1          | 1          | 1          | 1          | 1          | 1 | 2584637 | 53,90   |        |
|          |   | L 50...90 kg/h       |            |            |            |            |            |            | 1          | 1          |            |            |            |            |   | 2584638 | 59,40   |        |
| -        | Linkupkabel   | 2.6 m- 35...90 kg/h  |            |            |            |            |            |            |            |            |            |            |            |            |   | 2584154 | 45,50   |        |
|          |   | 6.0 m- 70...135 kg/h |            |            |            |            |            |            |            |            |            |            |            |            |   | 2584155 | 94,70   |        |
| -        | Sicherungsset   | 5x20 500mAT, 3 Stk.  |            |            |            |            |            |            |            |            |            |            |            |            |   | 2584688 | 16,00   |        |

\* Lieferfrist ca. 6 Wochen

|  |  |                      |  |  |  |  |  |  |  |  |  |         |       |
|--|--|----------------------|--|--|--|--|--|--|--|--|--|---------|-------|
|  |  | 5x20 1AT, 3 Stk.     |  |  |  |  |  |  |  |  |  | 2545846 | 23,00 |
|  |  | 5x20 4AT, 3 Stk.     |  |  |  |  |  |  |  |  |  | 2543993 | 16,00 |
|  |  | 6.3x32 6.3AT, 3 Stk. |  |  |  |  |  |  |  |  |  | 2560451 | 42,60 |



© 01/2024 Die in dieser Liste enthaltenen Preise sind unverbindliche Preisempfehlungen und verstehen sich ausschließlich Mehrwertsteuer und ausschließlich Verpackung ab Lager. Alle Geräte sind von uns gegen Berechnung transportversichert. Alle früheren Preise sind ungültig. Technische Änderungen, die der Verbesserung des Produktes dienen, vorbehalten.

#### Condair GmbH

##### Regionalcenter **Süd**

Parkring 3  
D-85748 Garching  
Tel. +49 (0) 89 / 20 70 08-0

##### Regionalcenter **Südwest**

Zettachring 6  
D-70567 Stuttgart  
Tel. +49 (0) 711 / 25 29 70-0

##### Regionalcenter **Mitte**

Nordendstraße 2  
D-64546 Mörfelden-Walldorf  
Tel. +49 (0) 61 05 / 963 88-0

##### Regionalcenter **West**

Werftstraße 25  
D-40549 Düsseldorf  
Tel. +49 (0) 211 / 54 20 35-0

##### Regionalcenter **Nord**

Lüneburger Straße 4  
D-30880 Laatzen- Rethen  
Tel. +49 (0) 5102 / 79 59 8-0

##### Regionalcenter **Ost**

Chausseestraße 88  
D-10115 Berlin  
Tel. +49 (0) 30 / 921 03 44-0

##### Condair **Österreich**

Perfektastraße 45  
A-1230 Wien  
Tel. +43 (0) 1 / 60 33 111-0